

Arches

Arches

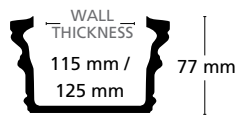


Pictured
ACA2 Classic Arch
AFP13 Pilasters

ALLPLASTA



Adjustable Robe Arch



360 mm



900 mm - 1800 mm

RA1 115 mm WALL THICKNESS

RA2 125 mm WALL THICKNESS

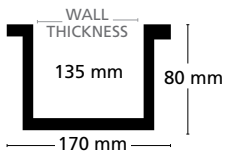
K8 (Key Stone optional extra) Adjustable length. To suit 3" and 4" studs. Extensions available in 1200 mm sections.

RE1 (Extension Piece)

Arch Set Includes:

- 2 x Arch Sections
- Optional Extras
- 1 x K7 Keystone Set (optional POA)

Adjustable Corner Archway



450 mm



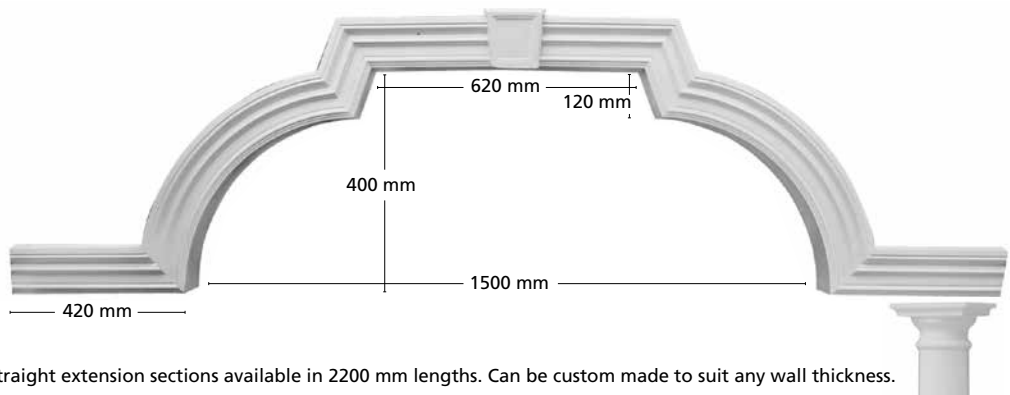
940 mm - 3000 mm

CA2 135 mm WALL THICKNESS

Arch Set Includes:

- 2 x Arch Sections
- Optional Extras
- 1 x K7 Keystone Set (optional POA)

Arabic Arch



AB1 250 mm WALL THICKNESS

ABE1 (Extension Piece)

Straight extension sections available in 2200 mm lengths. Can be custom made to suit any wall thickness.

Columns usually placed under ends


Arch Set Includes:

- 2 x Arch Sections
- Optional Extras
- 1 x K9 Keystone Set (optional POA)



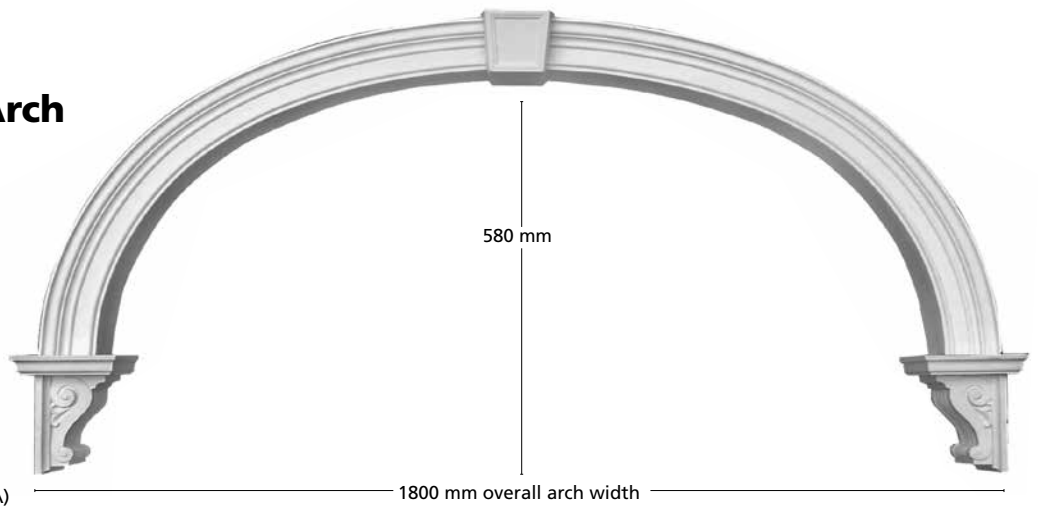
Semi Elliptical Arch



ASE1  200 mm WALL THICKNESS

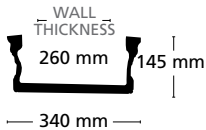
Arch Set Includes:


- 2 x Arch Sections
 - 1 x Corbels Set
- Optional extras
- 1 x K9 Keystone Set (optional POA)



Can be custom made to suit wider openings POA.

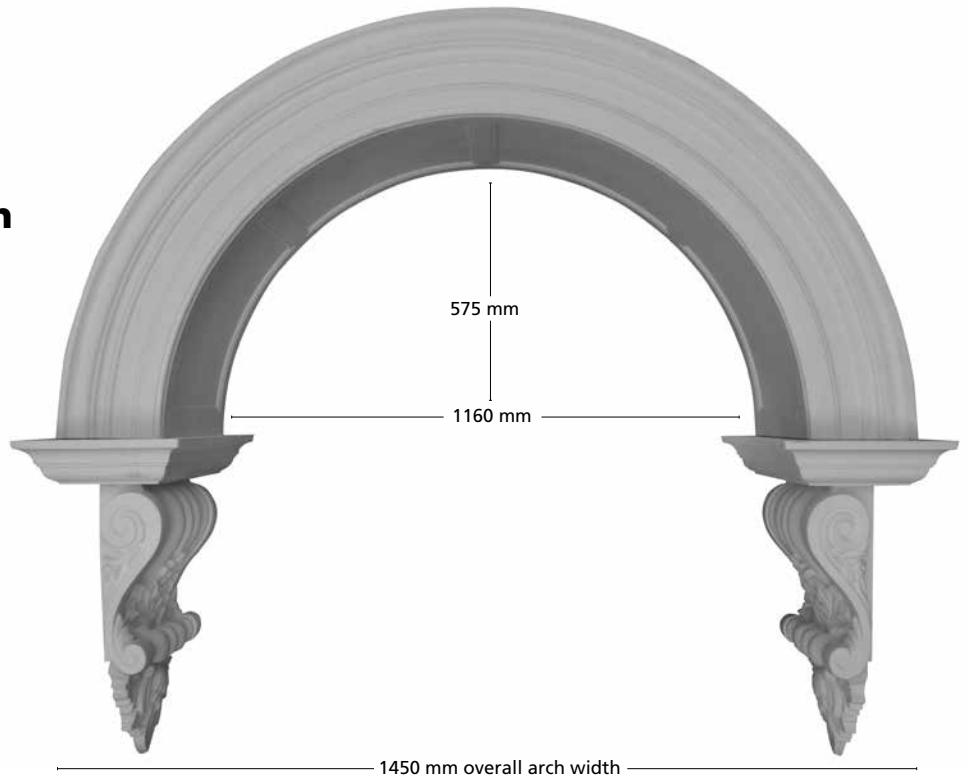
Semi Circular Arch



ASE2  260 mm WALL THICKNESS

Arch Set Includes:


- 1 x Arch Section
- 2 x Plinths AAP3
- 2 x Corbels



Can be custom made to suit any wall thickness POA

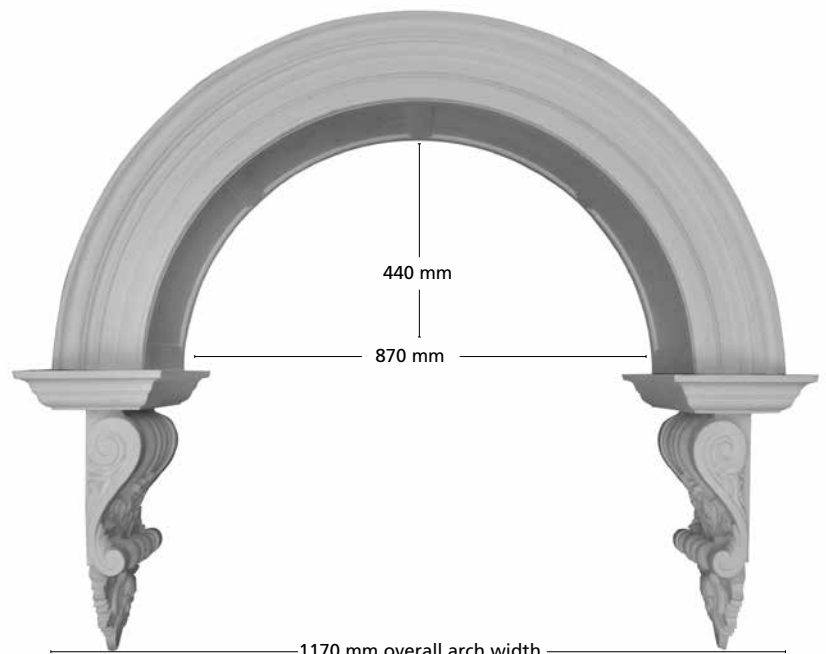
Semi Circular Arch



ASE3  260 mm WALL THICKNESS

Arch Set Includes:

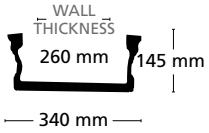
- 1 x Arch Section
- 2 x Plinths AAP3
- 2 x Corbels



Can be custom made to suit any wall thickness POA

Visit us instore or order online at www.allplasta.com.au

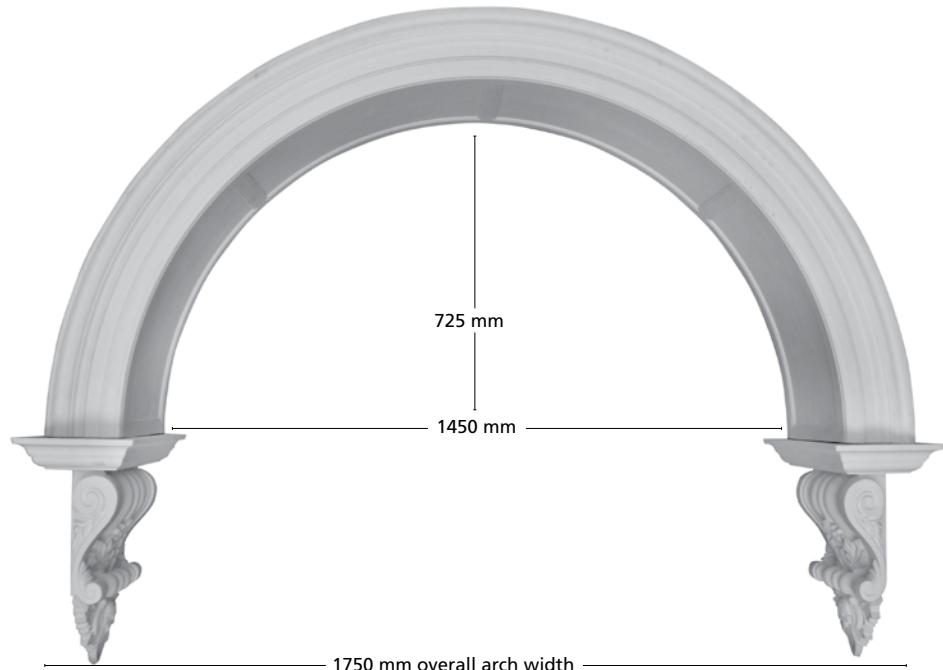
Semi Circular Arch



ASE4 (Vic) 260 mm WALL THICKNESS

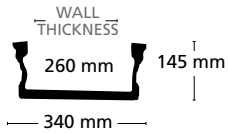
Arch Set Includes:

- 1 x Arch Section
- 2 x Plinths AAP3
- 2 x Corbels



Can be custom made to suit any wall thickness POA.

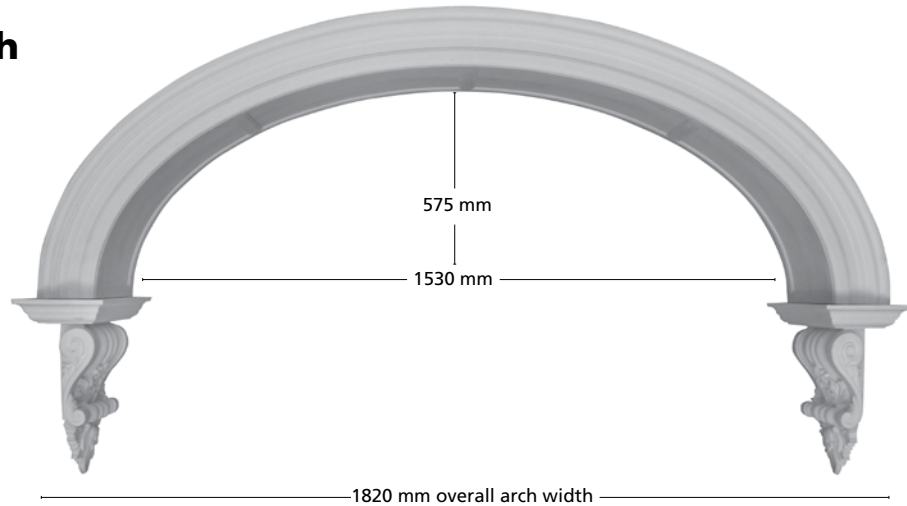
Semi Elliptical Arch



ASE5 (Vic) 260 mm WALL THICKNESS

Arch Set Includes:

- 1 x Arch Section
- 2 x Plinths AAP3
- 2 x Corbels



Can be custom made to suit any wall thickness POA.

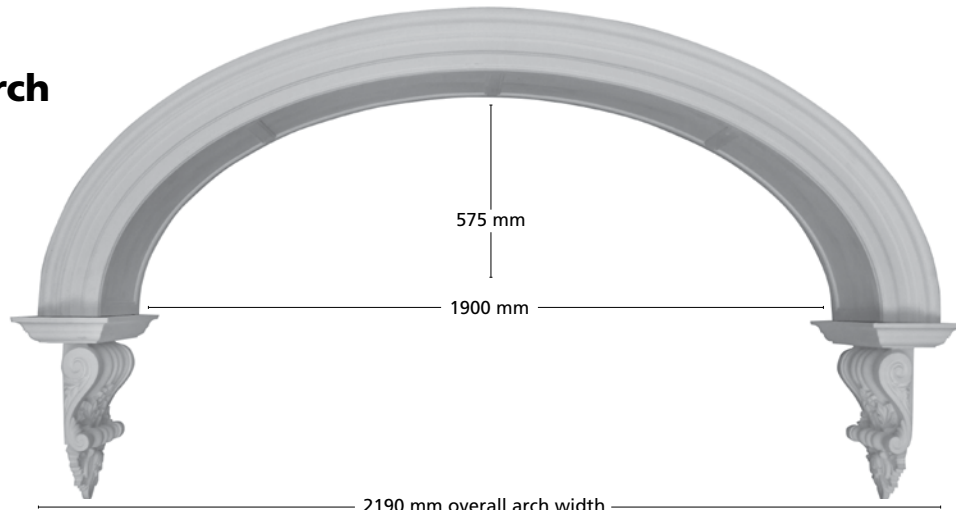
Semi Elliptical Arch



ASE6 (Vic) 260 mm WALL THICKNESS

Arch Set Includes:

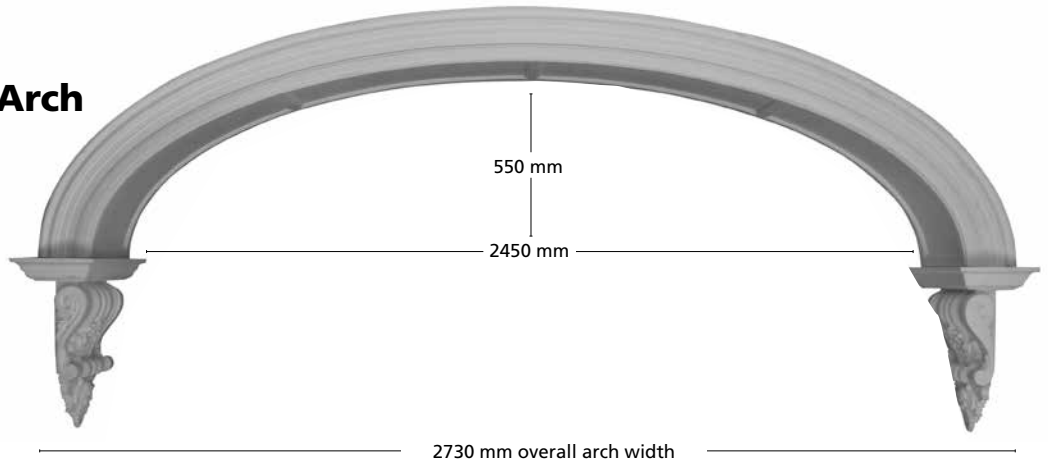
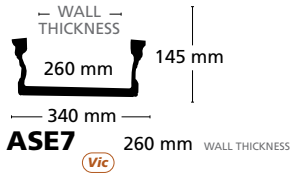
- 1 x Arch Section
- 2 x Plinths AAP3
- 2 x Corbels



Can be custom made to suit any wall thickness POA.

ALL DIMENSIONS ARE APPROXIMATE

Semi Elliptical Arch



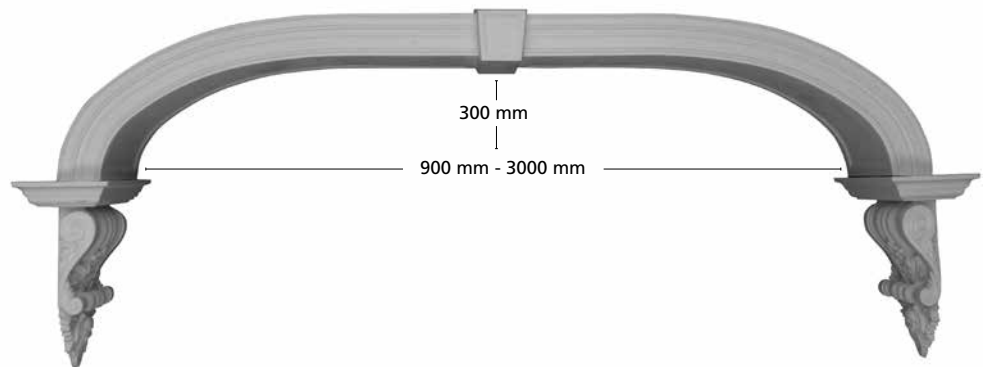
Can be custom made to suit any wall thickness POA.

Arch Set Includes:

- 1 x Arch Section
- 2 x Plinths AAP3
- 2 x Corbels
- Optional Extras
- 1 x A9 Keystone Set (optional POA)

Adjustable Elliptical Arch

- AE1** Col 135 mm WALL THICKNESS
- AE2** Col 150 mm WALL THICKNESS
- AE3** Col 205 mm WALL THICKNESS
- AE4** Col 260 mm WALL THICKNESS
- AEE1-4** (Extesion pieces)

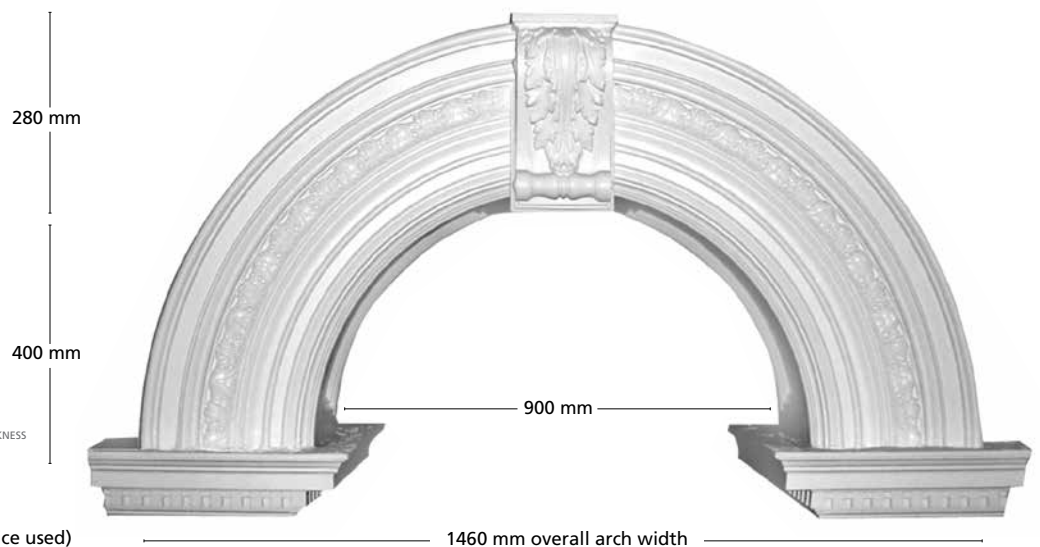
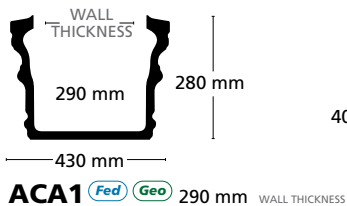


Extensions available in 2000 mm sections. Can be custom made to suit any wall thickness. POA

Arch Set Includes:

- 2 x Arch Section
- 2 x Plinths
- 2 x Corbels
- Optional Extras
- 1 x A9 Keystone Set (optional POA)

Classic Arch



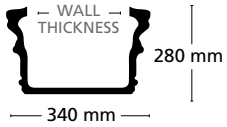
Arch available patterned or plain.


Can be custom made to suit any wall thickness. POA

Arch Set Includes:

- 2 x Arch Section
- 2 x Wrap-around Strip (A130 Cornice used)
- Optional Extras
- 1 x K5 Keystone Set (optional POA)

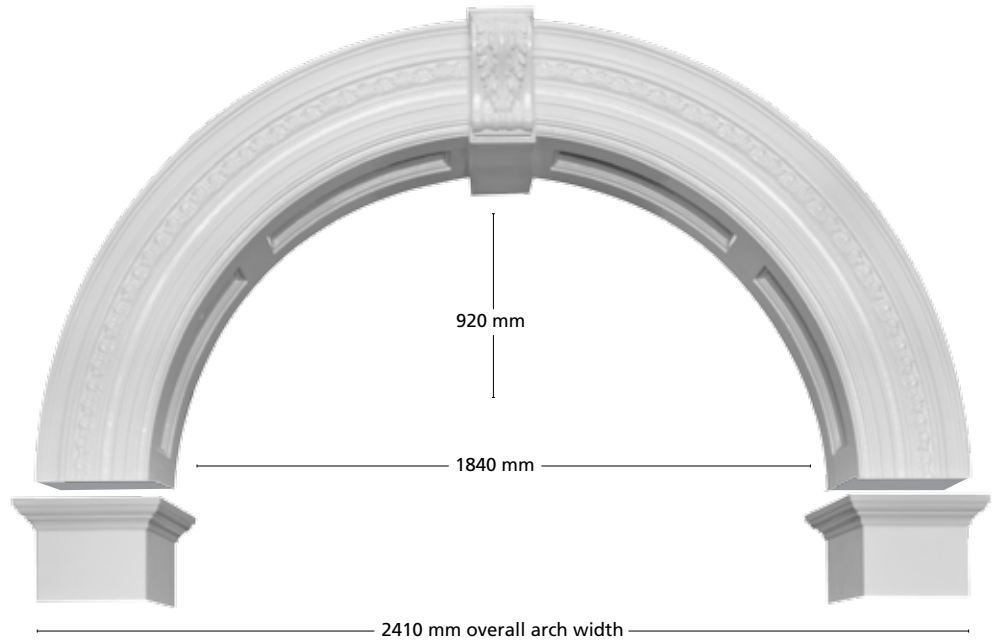
Classic Arch



ACA2  320 mm WALL THICKNESS

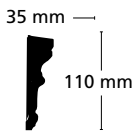
Arch Set Includes:

- 1 x Arch Section
 - Side pattern optional
- Suits AFP13 Pilasters
- Optional Extras
- 1 x K5 Keystone Set (optional POA)



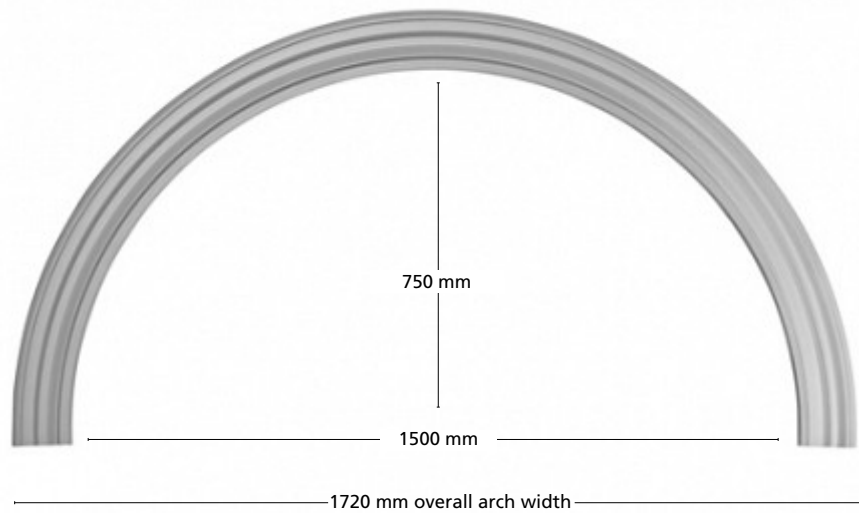
Can be custom made to suit any wall thickness. POA

Flatbacked Archway

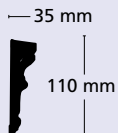


AFB1

(Per Arch Section)



Custom Archways



Archways can be made to any size or shaped opening. Flat-Backed or Wrap-Around. Please supply template or radius. Flat-backed archways can be made in lightweight resin for external use. Ask for more details. We can make any profile to match existing archways. POA



ALL DIMENSIONS ARE APPROXIMATE